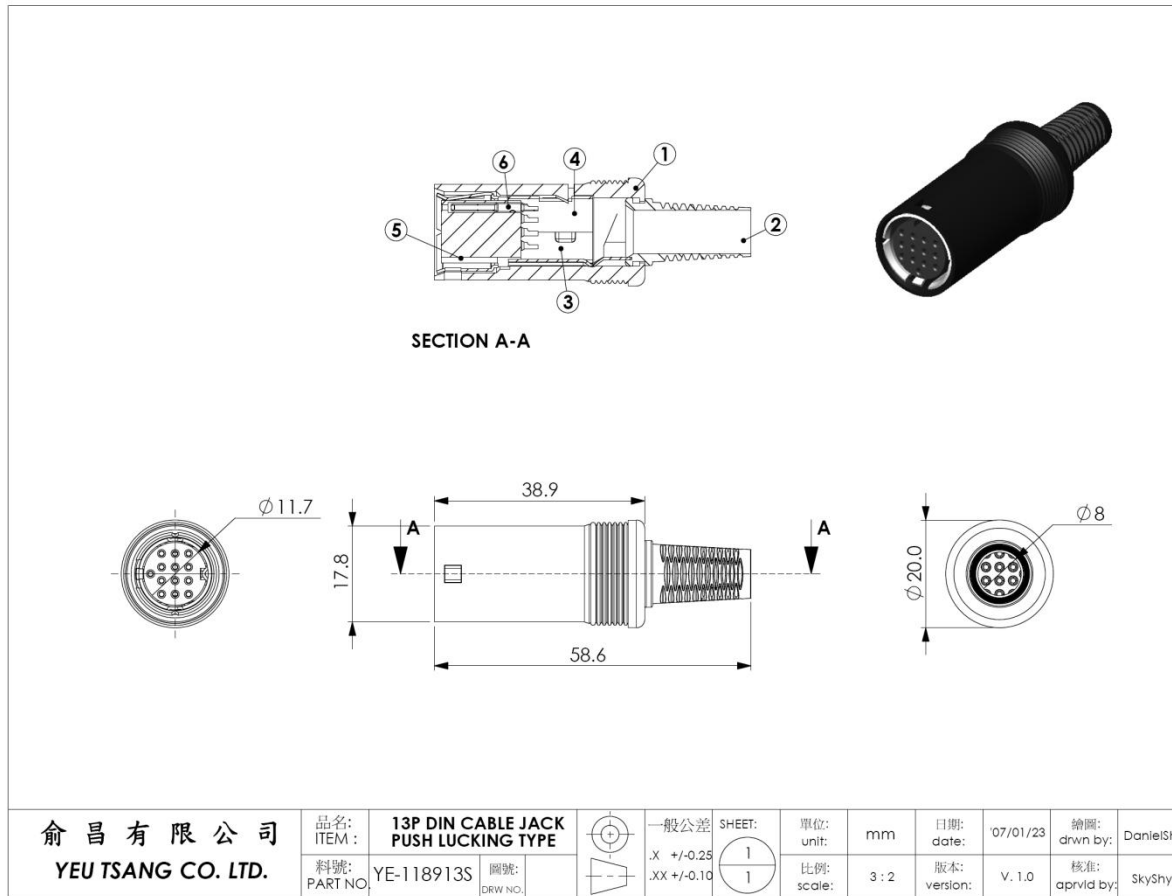


# YE-118913S 13P DIN CABLE JACK ASSEMBLY TYPE



COPYRIGHT BY YEU TSANG

## • MATERIALS :

1. SHELL COVER : PA66
2. STRAIN BOOT: PVC
3. SHIELD COVER A: BRASS NICKEL PTD.
4. SHIELD COVER B: BRASS NICKEL PTD.
5. HOUSING: ABS
6. TERMINALS: BRASS NICKEL PTD.

## • SPECIFICATION :

- rating : 100V AC or 12V DC 2A
- insulation resistance : MIN 50MΩ at 250V DC
- voltage withstand : 250V AC, 1 minute